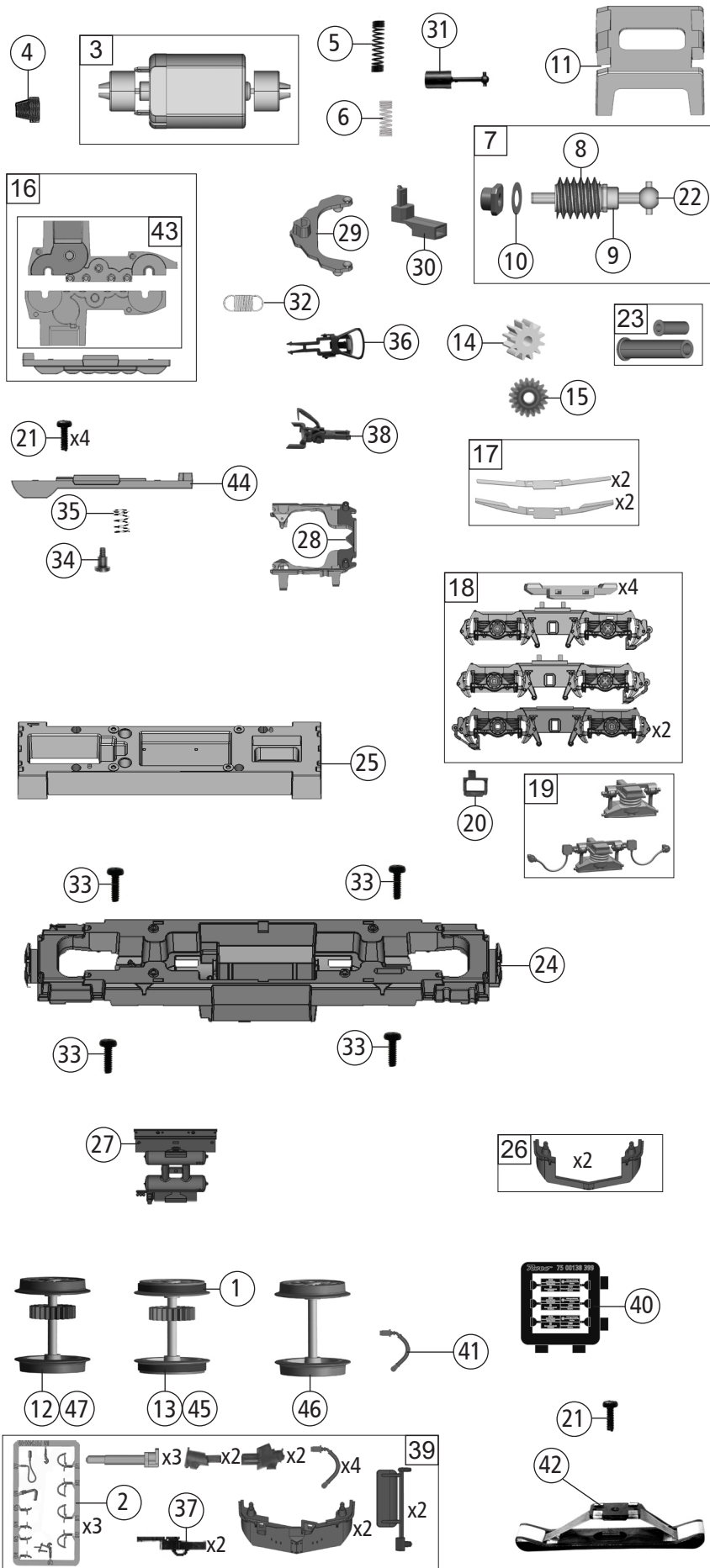


| Pos. Nr. Pos.no. | Beschreibung Description | Art.-Nr. Art.no. | Preisgruppe Price bracket |
|---------------------|---|---------------------|------------------------------|
| 7500027 | SBB Re 4/4 | = | |
| 7510027 | | = | 🔊 |
| 7520027 | | ~ | 🔊 |
| 1 | Gehäuse kpl. Betr. Nr. 11131 Body ass. compl. loco no. 11131 | 151692 | 39 |
| 2 | Stromabnehmer SBB Tp.BBC 350/2 Pantograph | 87507 | 25 |
| 3 | Führerstand kurz Driver's cab short | 151602 | 7 |
| 4 | Lichtabdeckung kurz Light cover short | 150355 | 6 |
| 5 | Stromabnehmer-Feder Panto string | 86235 | 4 |
| 6 | Vielfachsteckdose Multiple plug-in socket | 150397 | 3 |
| 7 | Swissexpress-Logo Logo-Swissexpress | 117588 | 6 |
| 8 | Scheibenwischer li.+re. Wipers L+R | 150358 | 9 |
| 9 | Dachlaufsteg gebogen Roof walkway curved | 150359 | 10 |
| 10 | TS-Gummiauflage Part set-Rubber pad | 148407 | 3 |
| 11 | Dachdeckel Roof cover | 151616 | 18 |
| 12 | TS - Lichtleiter Part set-Light conductor | 150362 | 7 |
| 13 | Lichtnagel rund Lens round | 132944 | 3 |
| 14 | TS - Fenster Part set-Windows | 151604 | 25 |
| 15 | Dachleitung Roof line | 151694 | 9 |
| 16 | Kableklemme Cable clamp | 151554 | 4 |
| 17 | TS - Isolatoren Part set-Isolators | 150365 | 8 |
| 18 | Lokpfeife Whistle | 88002 | 6 |
| 19 | Puffergriff Buffer handle | 142422 | 4 |
| 20 | Türgriff Door Handrail | 110403 | 5 |
| 21 | Puffer rund flach Buffer round flat | 141985 | 3 |
| 22 | Kabel Stromabnehmer Panto cable | 117237 | 3 |
| 23 | TS - Griffe Part set-Handles | 114419 | 7 |
| 24 | TS - Lüftungsgitter Part set-Vent grills | 151617 | 17 |
| 25 | Erdungsleitung Ground wire | 151618 | 8 |
| 26 | Hauptschalterplatte Main switch plate | 151619 | 5 |
| 27 | Puffer rund gew. Buffer round vaulted | 141984 | 3 |
| 28 | TS - V-Messer + Leitung Part set-V-encoder+line | 150394 | 4 |
| 29 | Hauptschalter Main switch | 106109 | 6 |
| 30 | TS - Dachleitungen Part set-Roof lines | 151695 | 9 |
| 31 | Handbremshebel Hand brake lever | 150372 | 6 |
| 32 | Fahrplanhalter+Inneneinrichtung Timetable holder + interior fittings | 150373 | 18 |
| 33 | Umlaufblech Running board | 151696 | 14 |
| 34 | GF-Schraube + M1,6x4 mm GF-Screw | 114850 | 3 |
| 35 | E-Lokführer Loco driver | 110407 | 6 |
| 36 | Standfuß Stand | 148403 | 5 |
| 37 | Indusi Indusi | 134038 | 4 |
| 38 | Dose seitlich Side socket | 134113 | 3 |
| 39 | Platine kpl.Pl.22 analog PCB analog | 150376 | 24 |
| 40 | Brückenstecker 16 Plux Jumper | 133241 | 10 |
| 41 | Lichtmaske kurz Short light mask | 150384 | 3 |
| Sound | | | |
| 42 | Platine kpl.Pl.22 f.Sound PCB compl. for sound | 150399 | 24 |
| 43 | Sounddecoder Sound decoder | 147377 | 39 |
| 44 | Lautsprecher Loudspeaker | 150124 | 20 |



| | | | | |
|---------|-----|--------|---|---|
| 7500027 | SBB | Re 4/4 | = | |
| 7510027 | | | = | 🔊 |
| 7520027 | | | ~ | 🔊 |

| Pos. Nr. Pos.no. | Beschreibung Description | Art.-Nr. Art.no. | Preisgruppe Price bracket |
|------------------------|---|---------------------|------------------------------|
| 1 | Haftrings.10Stk.12,9-14,6mm Set with traction tires 10Stk. | 40070 | --- |
| 2 | TS - Bremsschläuche + Zughaken Part set of brake tubes & coupling hooks | 139832 | 7 |
| 3 | Motor KM m.2Flywheeler+Kardanschale Motor w. 2flywheels+cardan reception | 150377 | 25 |
| 4 | Kardanschale kurz 1,5 mm Cardan reception short | 87129 | 4 |
| 5 | M-Kontaktfeder D=2,4 L=22,7 mm Motor contact spring | 136207 | 6 |
| 6 | M-Kontaktfeder D=2,4 L=14,3 mm Motor contact spring | 145560 | 4 |
| 7 | Schneckenatz Z=2 m. Kardankugel Wormgear set w. cardan ball | 150378 | 11 |
| 8 | Schnecke Z=2 D=7,4 Wormgear | 86702 | 6 |
| 9 | Lager f. Schneckenachse Bearing for wormgear axle | 89749 | 6 |
| 10 | Anlaufscheibe D=2,1/4 H=0,01 Washer | 114622 | 3 |
| 11 | Schneckendeckel Wormgear cover | 150379 | 4 |
| 12 | Radsatz m. Zahnrad o. Haftring Wheelset w. gear w/o traction tire | 134043 | 11 |
| 13 | Radsatz m. Zahnrad m. 2Haftring Wheelset w. gear w/o 2traction tires | 134046 | 12 |
| 14 | Zahnrad Z=12 Gear | 86471 | 3 |
| 15 | Schnecken Zahnrad Z=19/17 Wormgear | 86413 | 5 |
| 16 | Getriebebesatz 3tlg. Gear set 3 pcs. | 150380 | 14 |
| 17 | TS - Radkontakt 1+2 Part set-Wheel contact | 150381 | 12 |
| 18 | TS - DG-Blenden Part set-Bogie frame | 151697 | 8 |
| 19 | Sekundärfedern Secondary springs | 151698 | 5 |
| 20 | Auftritt Einstieg Entry step | 117232 | 3 |
| 21 | GF-Schraube + M1,6x4 mm GF-Screw | 114850 | 3 |
| 22 | Kardankugel Cardan ball | 109614 | 4 |
| 23 | Isolierung Feder lang+kurz Isolator spring long+short | 150385 | 5 |
| 24 | Grundrahmen Base frame | 150386 | 19 |
| 25 | Grundrahmen Oberteil Base frame upper part | 150387 | 17 |
| 26 | Schiennräumer Betrieb Railguard operation | 150389 | 10 |
| 27 | Batteriekasten Battery boxes | 150390 | 12 |
| 28 | Kinematik kurz Short kinematic | 150391 | 6 |
| 29 | Deichsel Draw bar | 150392 | 6 |
| 30 | Kupplungsschacht Coupling shaft | 151610 | 7 |
| 31 | Kardanwelle Cardan shaft | 109194 | 6 |
| 32 | Zugfeder D=2,5 L=2,7/5,8 mm Draw spring | 86208 | 3 |
| 33 | GF-Schraube + M1,6x10 mm GF-Screw | 114881 | 3 |
| 34 | FK-Schraube + M2x2,8/2,5 mm FK-Screw | 85704 | 4 |
| 35 | Konusfeder D=3,25/4,35 L=4 mm Cone spring | 86202 | 3 |
| 36 | Standardkupplung Standard coupling | 89246 | 6 |
| 37 | Kurzkupplung-Vorentkupplung Short coupling- pre-uncoupling | 115550 | 6 |
| 38 | Universalkupplung Universal coupling | 89282 | 6 |
| 39 | Zurüstbeutel Bag with accessories | 151699 | 19 |
| 40 | Tafelsatz Set of panels | 151613 | 11 |
| 41 | EP-Steuerleitung EP-Steering cable | 139347 | 3 |
| AC-Wechselstrom | | | |
| 42 | Schleifer 42mm Slider | 86030 | 14 |
| 43 | Getriebebesatz 2 tlg. AC Gear set 2 pcs. | 150400 | 11 |
| 44 | Getriebeboden AC Gear bottom AC | 150401 | 6 |
| 45 | Radsatz m. Zahnrad m. 2Haftring Wheelset w. gear w/o 2traction tires | 142427 | 12 |
| 46 | Radsatz o. Zahnrad o. Haftring Wheelset w/o gear w/o traction tire | 142428 | 10 |
| 47 | Radsatz m. Zahnrad o. Haftring Wheelset w. gear w/o traction tire | 142429 | 11 |